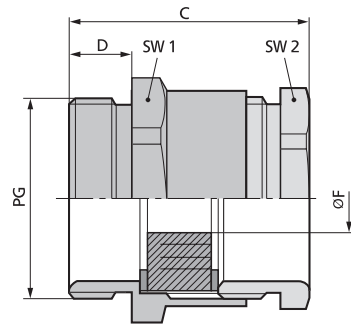


**SKINDICHT® SVRN / SKINDICHT® SVRE**



SKINDICHT® SVRN

SKINDICHT® SVRE

**Benefits**

**SKINDICHT® SVRN**

- High mechanic stability
- Optimal strain relief

**SKINDICHT® SVRE**

- Incised sealing ring can be adjusted to clamp several cable diameters
- Fewer sizes need to be kept in stock

**Application range**

**SKINDICHT® SVRN**

- Brass cable gland with hexagonal fitting and metric connecting thread for fast assembly with a flat spanner.

**SKINDICHT® SVRE**

- Brass cable gland with hexagonal fitting and variable incised sealing ring.

**Approvals (Norm references)**



**Design**

- PG connection thread

**Note**

**SKINDICHT® SVRN**

- Counter nut to be used SKINDICHT® SM
- Connection thread PG 42 and PG 48 see SKINDICHT® SVRE

**SKINDICHT® SVRE**

- For additional accessories see SKINDICHT® EV
- Counter nut to be used SKINDICHT® SM

**Technical data**



**Caution**  
Installation dimensions see Appendix T21



**On request SKINDICHT® SVRE**  
Available with long connection thread PG 11 to 36 available with VITON® seals



**Material SKINDICHT® SVRN**  
Body: Nickel plated brass  
Seal: CR

**SKINDICHT® SVRE**  
Body: Nickel plated brass  
Incised seal: CR



**Degree of protection**  
IP 54



**Range of temperature**  
**SKINDICHT® SVRN**  
-20°C up to +100°C  
**SKINDICHT® SVRE**  
-20°C up to +80°C

Part number	Part designation / size	Incised sealing ring ØF, mm	PG size	Clamping range mm	SW 1 / SW 2 mm	Overall length C mm	Thread length D mm	Pieces / PU
<b>SKINDICHT® SVRN</b>								
52000210	SVRN 7005/N		7	5	14 / 13	20.6	5.0	100
52020300	SVRN 7006/N		7	6	14 / 13	20.6	5.0	100
52020310	SVRN 7007/N		7	7	14 / 13	20.6	5.0	100
52020320	SVRN 9007/N		9	7	17 / 15	22.6	6.0	100
52020330	SVRN 9008/N		9	8	17 / 15	22.6	6.0	100
52000220	SVRN 9009/N		9	9	17 / 15	22.6	6.0	100
52020341	SVRN 11010/N		11	10	20 / 18	23.6	6.0	50
52000230	SVRN 11011/N		11	11	20 / 18	23.6	6.0	50
52000240	SVRN 13011/N		13,5	11	22 / 20	26.1	6.5	50
52000241	SVRN 13012/N		13,5	12	22 / 20	26.1	6.5	50
52000250	SVRN 16013/N		16	13	24 / 22	27.1	6.5	50
52000251	SVRN 16014/N		16	14	24 / 22	27.1	6.5	50
52000260	SVRN 21018/N		21	18	30 / 28	29.6	7.0	50
52000270	SVRN 29027/N		29	27	40 / 37	32.6	8.0	50
52000280	SVRN 36034/N		36	34	50 / 47	38.6	9.0	20
<b>SKINDICHT® SVRE</b>								
52005540	SVRE 9	5/8			17 / 15	22.6	6.0	100
52000310	SVRE 11	7/10/12,5			20 / 18	22.6	6.0	50
52000320	SVRE 13,5	7/10,5/13/16			22 / 20	26.1	6.5	50
52000330	SVRE 16	8/10,5/13,5/16			24 / 22	27.1	6.5	50
52000340	SVRE 21	11/15/18/20			30 / 28	29.6	7.0	50
52000350	SVRE 29	19/23/27/31			40 / 37	32.6	8.0	50
52000360	SVRE 36	25/28/31/35			50 / 47	38.6	9.0	20
52005550	SVRE 42	35,5/39/42,5/46			57 / 54	43.6	10.0	10
52005560	SVRE 48	40,5/44/47/50,5			64 / 60	45.1	10.0	10

Viton® is a registered trademark of DuPont de Nemours